



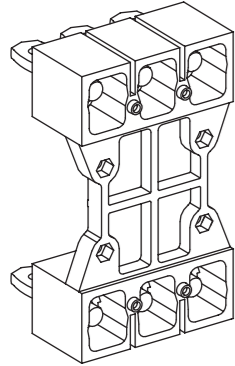
插入式板后接线装置使用说明书

OPERATION MANUAL OF PLUG-IN REAR CONNECTED DEVICE

CM3、CM3L、CM3E、CM3Z、CM3ZL系列
CM3, CM3L, CM3E, CM3Z, CM3ZL series

打开包装, 应有下列零部件
Open the package, there are following parts

插入式板后接线装置底座 (以下简称插入式底座)
Plug-in rear connected device base (hereafter abbreviation plug-in base)

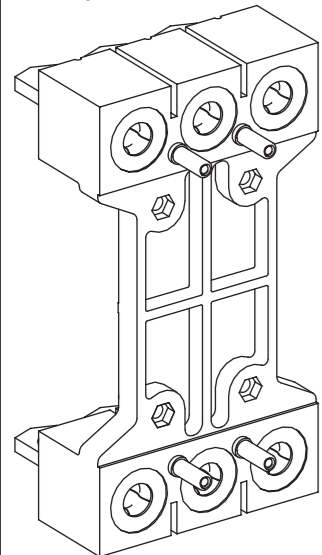


型号 Type	配用断路器(三级) Suitable circuit-breaker(3-pole)	型号 Type	配用断路器(四级) Suitable circuit-breaker(4-pole)
FCR1/CM3-100C/1	CM3-63 CM3-100C	FCR1/CM3-100CS/1	CM3-63 CM3-100C
FCR1/CM3-100/1	CM3-100 (L, M, H)	FCR1/CM3-100S/1	CM3-100 (L, M, H)
FCR1/CM3-250C/1	CM3-250C	FCR1/CM3-250CS/1	CM3-250C
FCR1/CM3-250/1	CM3-250 (L, M, H)	FCR1/CM3-250S/1	CM3-250 (L, M, H)
FCR1/CM3L-100/1	CM3L-100 CM3E-100 CM3Z-100	FCR1/CM3L-100S/1	CM3L-100 CM3E-100 CM3Z-100
FCR1/CM3L-250/1	CM3L-250	FCR1/CM3L-250S/1	CM3L-250
FCR1/CM3E-250/1	CM3ZL-100 CM3E-250 CM3Z-250 CM3ZL-250	FCR1/CM3E-250S/1	CM3ZL-100 CM3E-250 CM3Z-250 CM3ZL-250

附件:
Accessories:

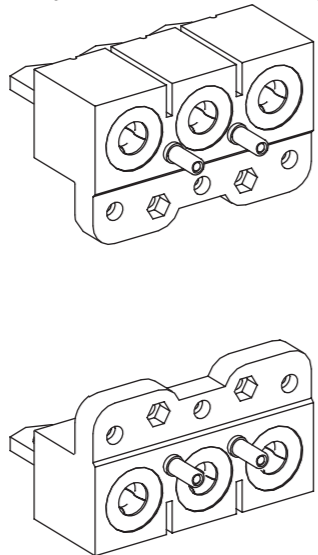
型号 Type	断路器安装螺钉 Mounting screws of circuit-breaker	安装螺栓 Mounting bolts	安装螺母 Mounting nuts	安装弹性垫圈 Mounting spring washers	安装垫圈 Mounting washers	接线螺栓 Connected bolts	接线螺母 Connected nuts	接线弹性垫圈 Connected spring washers	接线垫圈 Connected washers	插入式相间隔板 Plug-in interphase barriers	零飞弧罩 Zero arc covers	零飞弧罩固定螺钉 Zero arc covers fixed screws	使用说明书 Operation manual
FCR1/CM3-100C/1	x4 (M3X60)	x4 (M5X20)	x4 (M5)	x4 (5)	x4 (5)	x6 (M8X25)	x6 (M8)	x6 (8)	x12 (8)	x4	x2		x1
FCR1/CM3-100CS/1	x4 (M3X60)	x4 (M5X20)	x4 (M5)	x4 (5)	x4 (5)	x8 (M8X25)	x8 (M8)	x8 (8)	x16 (8)	x4	x2		x1
FCR1/CM3-100/1	x4 (M4X35)	x4 (M6X20)	x4 (M6)	x4 (6)	x4 (6)	x6 (M8X25)	x6 (M8)	x6 (8)	x12 (8)	x4	x2	x4 (M3X8)	x1
FCR1/CM3-100S/1	x4 (M4X35)	x4 (M6X20)	x4 (M6)	x4 (6)	x4 (6)	x8 (M8X25)	x8 (M8)	x8 (8)	x16 (8)	x4	x2	x4 (M3X8)	x1
FCR1/CM3-250C/1	x4 (M4X60)	x4 (M6X20)	x4 (M6)	x4 (6)	x4 (6)	x6 (M8X25)	x6 (M8)	x6 (8)	x12 (8)	x4	x2		x1
FCR1/CM3-250CS/1	x4 (M4X60)	x4 (M6X20)	x4 (M6)	x4 (6)	x4 (6)	x8 (M8X25)	x8 (M8)	x8 (8)	x16 (8)	x4	x2		x1
FCR1/CM3-250/1	x4 (M4X40)	x4 (M6X20)	x4 (M6)	x4 (6)	x4 (6)	x6 (M8X25)	x6 (M8)	x6 (8)	x12 (8)	x4	x2	x4 (M3X8)	x1
FCR1/CM3-250S/1	x4 (M4X40)	x4 (M6X20)	x4 (M6)	x4 (6)	x4 (6)	x8 (M8X25)	x8 (M8)	x8 (8)	x16 (8)	x4	x2	x4 (M3X8)	x1
FCR1/CM3L-100/1	x4 (M4X35)	x4 (M6X20)	x4 (M6)	x4 (6)	x4 (6)	x6 (M8X25)	x6 (M8)	x6 (8)	x12 (8)	x4	x2		x1
FCR1/CM3L-100S/1	x4 (M4X35)	x4 (M6X20)	x4 (M6)	x4 (6)	x4 (6)	x8 (M8X25)	x8 (M8)	x8 (8)	x16 (8)	x4	x2		x1
FCR1/CM3L-250/1	x4 (M4X75)	x4 (M6X20)	x4 (M6)	x4 (6)	x4 (6)	x6 (M8X25)	x6 (M8)	x6 (8)	x12 (8)	x4	x2		x1
FCR1/CM3L-250S/1	x4 (M4X75)	x4 (M6X20)	x4 (M6)	x4 (6)	x4 (6)	x8 (M8X25)	x8 (M8)	x8 (8)	x16 (8)	x4	x2		x1
FCR1/CM3E-250/1	x4 (M4X40)	x4 (M6X20)	x4 (M6)	x4 (6)	x4 (6)	x6 (M8X25)	x6 (M8)	x6 (8)	x12 (8)	x4	x2		x1
FCR1/CM3E-250S/1	x4 (M4X40)	x4 (M6X20)	x4 (M6)	x4 (6)	x4 (6)	x8 (M8X25)	x8 (M8)	x8 (8)	x16 (8)	x4	x2		x1

插入式板后接线装置底座 (以下简称插入式底座)
Plug-in rear connected device base (hereafter abbreviation plug-in base)



型号 Type	配用断路器(三级) Suitable circuit-breaker(3-pole)
FCR1/CM3-400/1	CM3-400 CM3L-400 CM3E-400 CM3Z-400 CM3ZL-400
FCR1/CM3-630/1	CM3-630

插入式板后接线装置底座 (以下简称插入式底座)
Plug-in rear connected device base (hereafter abbreviation plug-in base)



型号 Type	配用断路器(三级) Suitable circuit-breaker(3-pole)
FCR1/CM3-800/1	CM3-800 CM3L-630 CM3E-630 CM3E-800 CM3Z-800 CM3ZL-800

型号 Type	配用断路器(四级) Suitable circuit-breaker(4-pole)
FCR1/CM3-800S/1	CM3-800 CM3L-630 CM3E-630 CM3E-800 CM3Z-800 CM3ZL-800

附件:

Accessories:

配用断路器 Suitable circuit-breaker	断路器安装螺钉 Mounting screws of circuit-breaker	安装螺栓 Mounting bolts	安装螺母 Mounting nuts	安装弹性垫圈 Mounting spring washers	安装垫圈 Mounting washers	接线螺栓 Connected bolts	接线螺母 Connected nuts	接线弹性垫圈 Connected spring washers	接线垫圈 Connected washers	插入式相间隔板 Plug-in interphase barriers	断路器相间隔板 Interphase barriers of circuit-breaker	使用说明书 Operation manual
FCR1/CM3-400/1	x4 (M6X35)	x4 (M8X35)	x4 (M8)	x4 (8)	x4 (8)	x6 (M10X35)	x6 (M10)	x6 (10)	x12 (10)	x4	x2	x1
FCR1/CM3-400S/1	x4 (M6X35)	x4 (M8X35)	x4 (M8)	x4 (8)	x4 (8)	x8 (M10X35)	x8 (M10)	x8 (10)	x16 (10)	x6	x3	x1
FCR1/CM3-630/1	x4 (M6X40)	x4 (M8X35)	x4 (M8)	x4 (8)	x4 (8)	x6 (M12X45)	x6 (M12)	x6 (12)	x12 (12)	x4	x2	x1
FCR1/CM3-630S/1	x4 (M6X40)	x4 (M8X35)	x4 (M8)	x4 (8)	x4 (8)	x8 (M12X45)	x8 (M12)	x8 (12)	x16 (12)	x6	x3	x1
FCR1/CM3-800/1	x4 (M6X90)	x4 (M8X35)	x4 (M8)	x4 (8)	x4 (8)	x12 (M12X50)	x12 (M12)	x12 (12)	x24 (12)	—	x2	x1
FCR1/CM3-800S/1	x4 (M6X90)	x4 (M8X35)	x4 (M8)	x4 (8)	x4 (8)	x16 (M12X50)	x16 (M12)	x16 (12)	x32 (12)	—	x3	x1

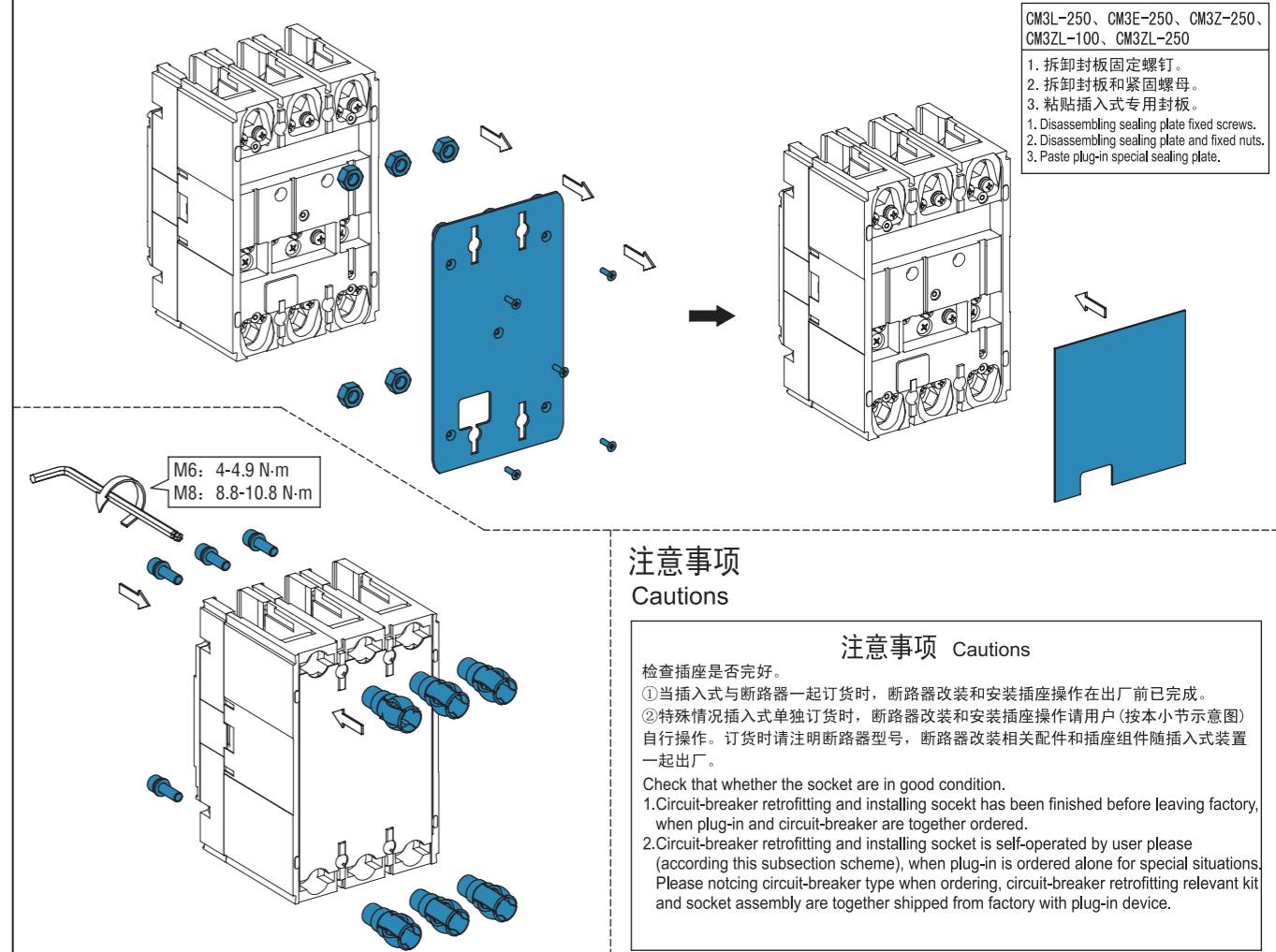
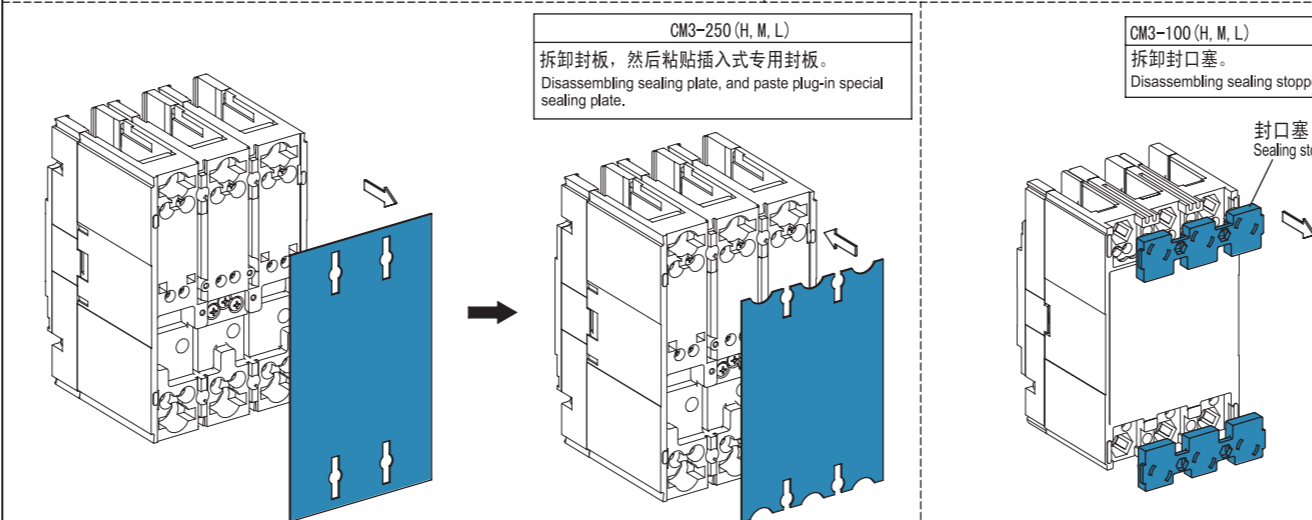
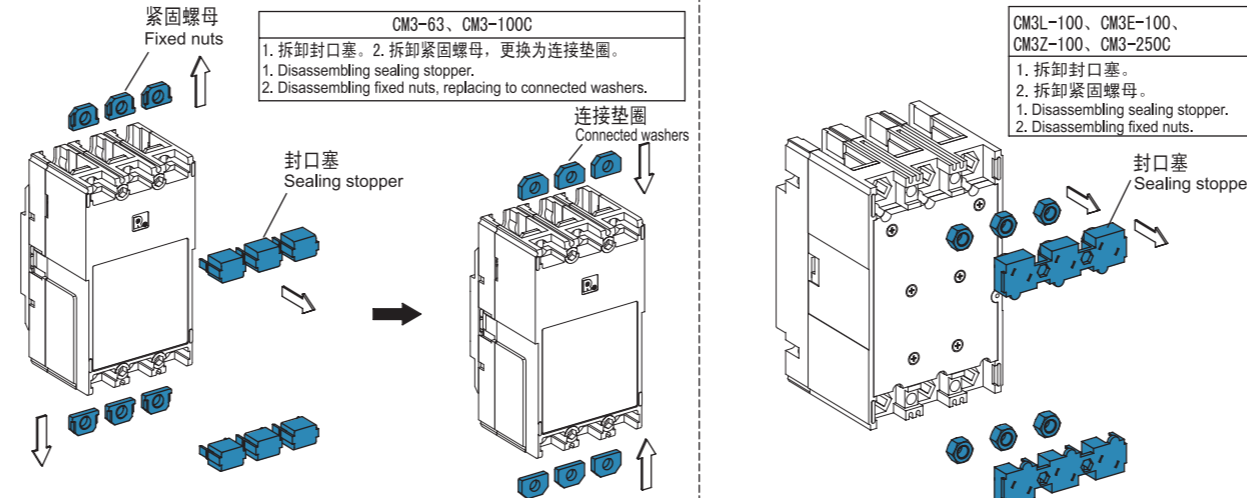
请检查插入式装置各零部件是否完好, 如有缺损请及时与本公司联系解决。
Please check that whether the components of plug-in devices are in good condition. If there is any defect, please contact the company in time.

重要注意事项
Important cautions

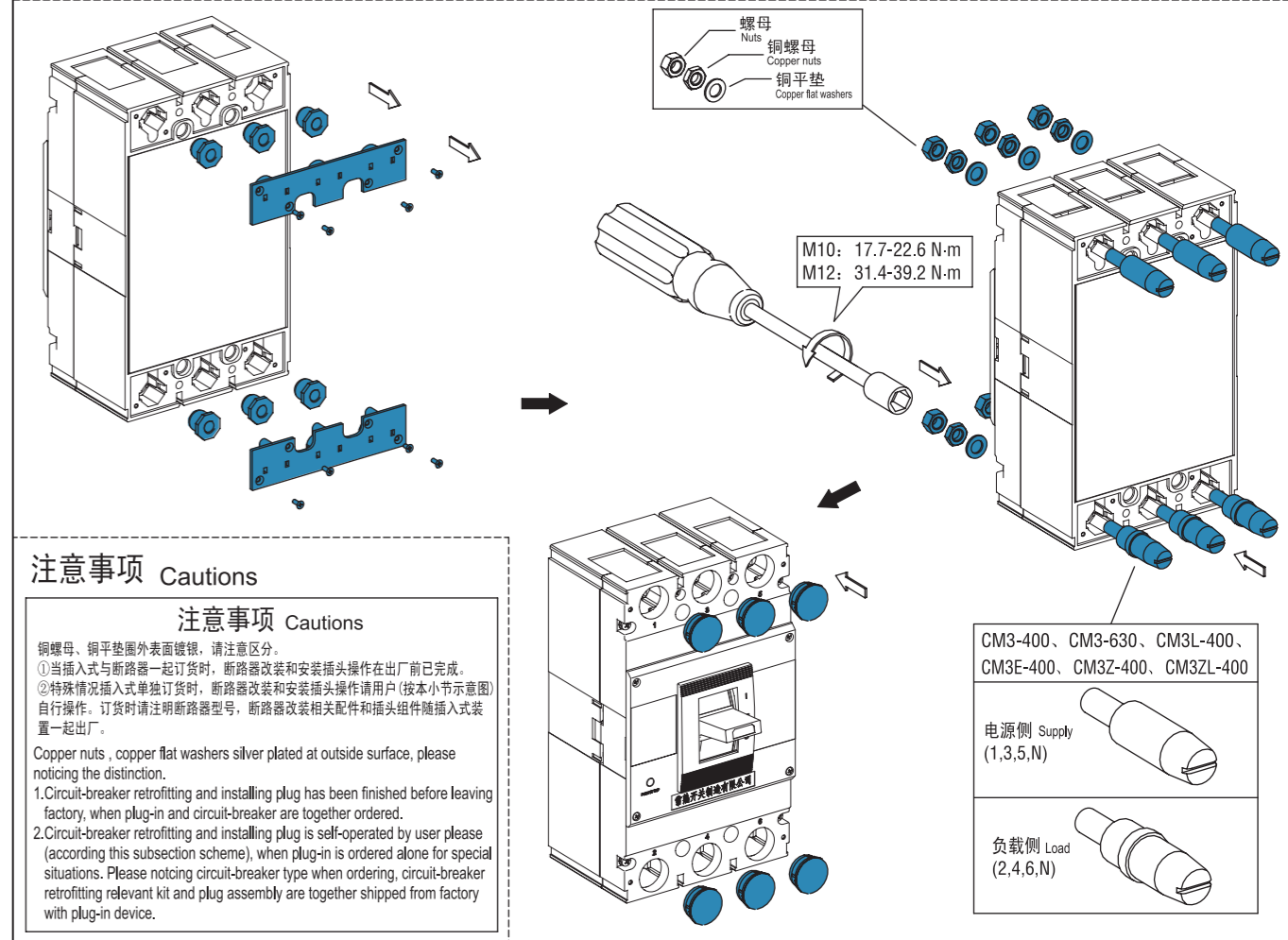
重要注意事项 Important cautions

1. 本装置必须由合格的电工进行安装。我们不承担任何因未遵循本文档中的指南而导致的责任。
 2. 请选用合适的安装工具进行安装操作。安装工具请自备。
 3. 安装操作全程请务必保持断路器处于分闸或脱扣状态, 以确保安全。
1. This device must be installed by qualified electrician. We will not accept any responsibility for failure to follow the guidelines in this document.
2. Please select suitable tools for installation. The installation tools should be prepared by yourself.
3. Keep the breaker tripped or opened during the whole installation for safety.

断路器改装和安装插座 (250A壳架及以下)
Circuit-breaker retrofitting and installing socket (250A frame and below)



断路器改装和安装插头 (400A壳架及以上)
Circuit-breaker retrofitting and installing plug (400A frame and above)



插入式底座安装 Plug-in base mounting

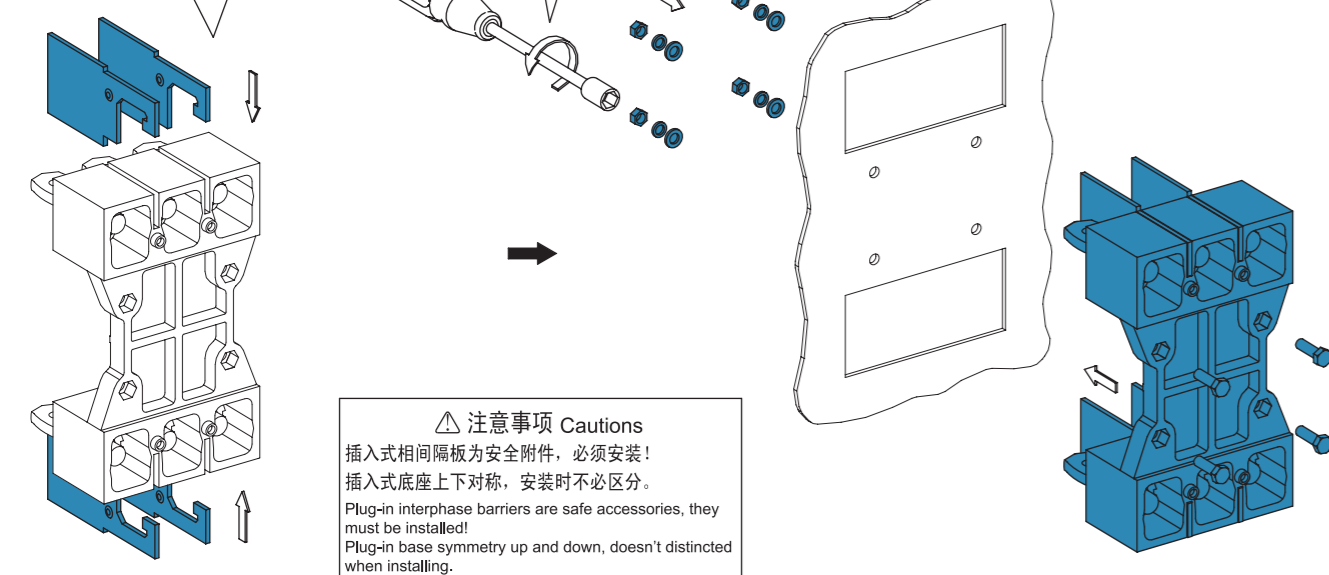
安装板开孔尺寸 Mounting plate cutout dimensions

型号 Type	极数 pole	尺寸(mm) Dimensions(mm)							
		A(min)	A1(min)	B	B1	C	D(min)	E(max)	F
FCR1/CM3-100C/1	3	77	—	50	—	—	52	38	76
FCR1/CM3-100CS/1	4	—	102	—	75	—	—	—	—
FCR1/CM3-100/1	3	94	—	60	—	—	56	41	90
FCR1/CM3L-100/1	3	—	—	—	—	—	—	—	—
FCR1/CM3-100S/1	4	—	125	—	90	—	—	—	—
FCR1/CM3L-100S/1	4	—	—	—	—	—	—	—	—
FCR1/CM3-250C/1	3	110	—	70	—	—	54	51	88
FCR1/CM3-250CS/1	4	—	145	—	105	—	—	—	—
FCR1/CM3-250/1	3	110	—	70	—	—	54	51	88
FCR1/CM3L-250/1	3	—	—	—	—	—	—	—	—
FCR1/CM3E-250/1	3	—	—	—	—	—	—	—	—
FCR1/CM3-250S/1	4	—	145	—	105	—	—	—	—
FCR1/CM3L-250S/1	4	—	—	—	—	—	—	—	—
FCR1/CM3E-250S/1	4	—	—	—	—	—	—	—	—
FCR1/CM3-400/1	3	152	—	60	—	—	129	58	166
FCR1/CM3-400S/1	4	—	200	—	108	—	—	—	—
FCR1/CM3-630/1	3	185	—	100	—	—	123	68	166
FCR1/CM3-630S/1	4	—	242	—	158	—	—	—	—
FCR1/CM3-800/1 (适用断路器极数:3-400) (Suitable circuit-breaker except CM3ZL-800)	3	213	—	140	—	—	143	58	183
FCR1/CM3-800S/1 (适用断路器极数:3-400) (Suitable circuit-breaker except CM3ZL-800)	4	—	283	—	210	—	—	—	—
FCR1/CM3-800/1 (适用断路器极数:3-400) (Suitable circuit-breaker CM3ZL-800)	3	213	—	140	—	—	263	58	303
FCR1/CM3-800S/1 (适用断路器极数:3-400) (Suitable circuit-breaker CM3ZL-800)	4	—	283	—	210	—	—	—	—

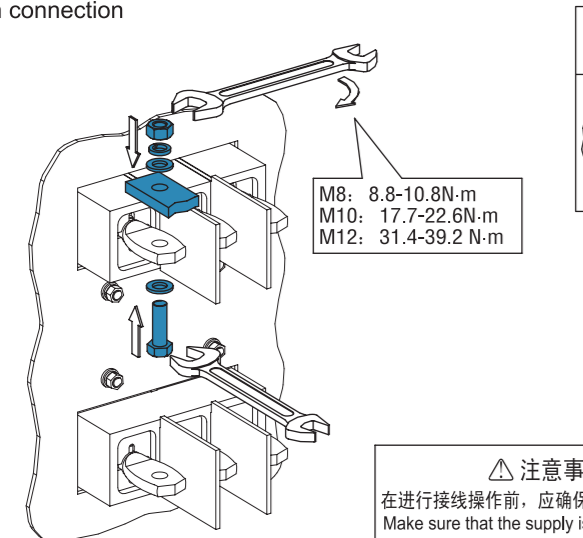
X-X、Y-Y为三极断路器的中心
X-X, Y-Y as the center of 3-pole circuit-breaker

CM3-63、100、250、400、630
CM3L-100、250、400 CM3E-100、250、400
CM3Z-100、250、400 CM3ZL-100、250、400

插入插入式相间隔板
Inserting plug-in interphase barriers

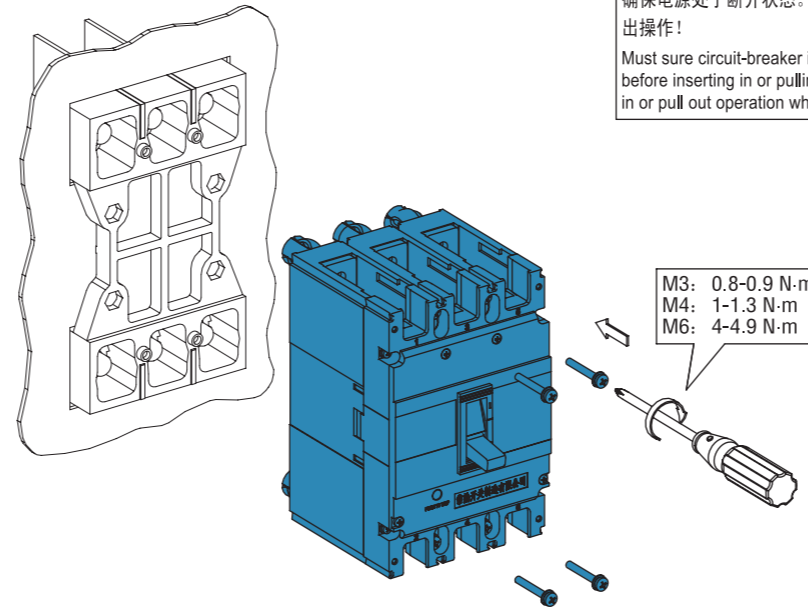


插入式接线 Plug-in connection



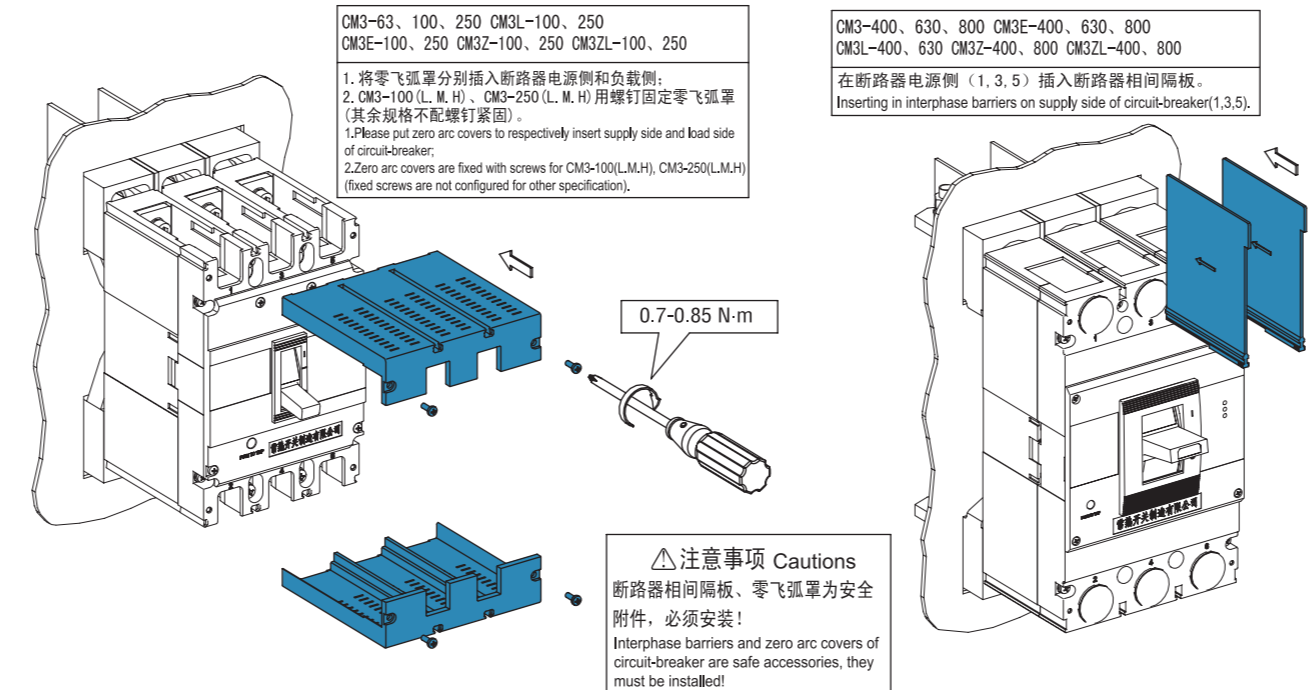
断路器型号 Circuit-breaker type	A	B	C	D
FCR1/CM3-100C/1	24	12	17	Ø8.2
FCR1/CM3-100CS/1	24	12	17	Ø8.2
FCR1/CM3-100/1	24	12	17	Ø8.2
FCR1/CM3-100S/1	24	12	17	Ø8.2
FCR1/CM3L-100/1	24	12	17	Ø8.2
FCR1/CM3L-100S/1	24	12	17	Ø8.2
FCR1/CM3-250C/1	32	15	23.6	Ø9
FCR1/CM3-250CS/1	32	15	23.6	Ø9
FCR1/CM3-250/1	32	15	23.6	Ø9
FCR1/CM3-250S/1	32	15	23.6	Ø9
FCR1/CM3L-250/1	32	15	23.6	Ø9
FCR1/CM3L-250S/1	32	15	23.6	Ø9
FCR1/CM3E-250/1	32	15	23.6	Ø9
FCR1/CM3E-250S/1	32	15	23.6	Ø9
FCR1/CM3-400/1	40	23	30	Ø12
FCR1/CM3-400S/1	40	23	30	Ø12
FCR1/CM3-630/1	35	18	32	Ø13
FCR1/CM3-630S/1	35	18	32	Ø13

断路器插入/拔出 Circuit-breaker inserting in and pulling out



△ 注意事项 Cautions
在进行插入或拔出操作前，应确保断路器处于分闸或脱扣状态，确保电源处于断开状态。严禁在断路器带载状态下进行插入或拔出操作！
Must sure circuit-breaker is open or trip and supply is disconnected, before inserting in or pulling out operation. Strictly prohibiting to insert in or pull out operation when circuit-breaker with load!

安装零飞弧罩或相间隔板 Installing zero arc covers or interphase barriers



合格证 Certificate

本产品经检验合格准予出厂
All products have been tested to be qualified before leaving the company.

检验员 Checker _____



常熟开关制造有限公司(原常熟开关厂)
江苏省常熟市建业路8号
8008282528(技术咨询), 0512-52846869(服务热线)
Changshu switchgear MFG.CO., LTD
(former changshu switchgear plant)
No.8 Jianye road changshu
8008282528(technical support), 0512-52846869(service line)